

LT30 STRADDLE CARRIER



30 Metric Ton Capacity Straddle Carrier for Rugged Industrial Applications

MACHINE FEATURES



Cab Forward Design for Improved Visibility

Tier IVF Cummins QSB6.7 Diesel Engine 220hp@2200rpm

Allison 3000RDS Automatic Transmission

Hydraulic Dry Disc Service Brakes; 4 Piston Calipers, Two per Wheel

Automatically Synchronizing Lift System. Single Lever Joystick Control

Standard Dual Camera System, Up to 4 Cameras Available

LED Machine and Cabin Lighting
Four LED Rotating Safety Beacons

7" Color Touchscreen Display

Designed for Mill Production Duty

Recessed Ladder and Walkways. Full Safety Railing

Thermostatically Controlled Cab HVAC System

Heavy Duty Lift System Featuring Hardened Load Roller Bearings and Special Rolled Profile Shoe Guides

MACHINE FEATURES



Four Wheel Independent Suspension

14:00R24 Hard Rock Lug Radial Tires

Standard Road Speed Governing

66,000 Pound Capacity (30,000kg)

Night Vision Cab Lighting
Remote Diagnostic Capability

Heated West Coast Mirrors

Spring Set Hydraulic Release Parking Brake

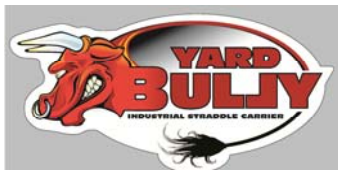
Cabin Air Filtration

Suspension Seat with Control Pods



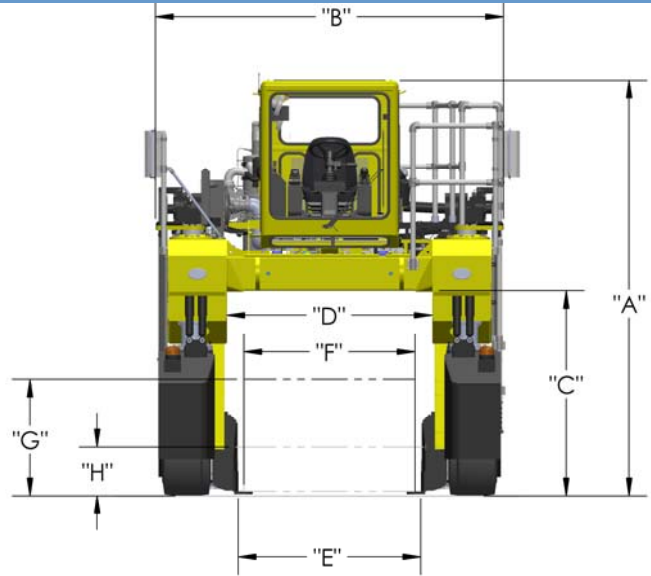
Phone: 440-259-0025
Fax: 440-259-0098
E-mail: straddles@glpower.com
www.glpower.com

Great Lakes Power
3691 Shepard Road
Perry, OH 44081



▶ LT30 STRADDLE CARRIER

LT30



LT30 STRADDLE TRUCK



Frame Sizes

| Inside Height "C" | Package Height "G" | Overall Height "A" | Inside Width "D" | Bolster Width "E" | Overall Width "B" |
|--------------------------------------------------------------------------------------------------------------------------------------------------------------------------------------|--------------------|--------------------|------------------|-------------------|-------------------|
| Most Combinations Available, Step Sizes are Arbitrary, Ex; "C" dims of 73, 74,... are Available. Height and Width are Independent. Please Consult Factory for Sizes Not Shown | | | | | |
| 72" (MIN) | 60" (MIN) | 148" | 62" (MIN) | 60" | 118" |
| 78" | 66" | 154" | 64" | 62" | 120" |
| 84" | 72" | 160" | 66" | 64" | 122" |
| 90" | 78" | 166" | 70" | 68" | 126" |
| 96" | 84" | 172" | 74" | 72" | 130" |
| 102" | 90" | 178" | 78" | 76" | 134" |
| 108" | 96" | 184" | 82" | 80" | 138" |
| 114" | 102" | 190" | 86" | 84" | 142" |
| 120" | 108" | 196" | 90" | 88" | 146" |
| 126" | 114" | 202" | 94" | 92" | 150" |
| 132" | 120" | 208" | 98" | 96" | 154" |

Bolster Widths shown for standard load shoes. Standard shoe lip width of 5". For full width (bolster width) load lengths greater than 109" increase frame width by 6" for given bolster size and specify special inset load shoes (shown above). Standard lift height "H" is 27", extended shoe travel is available, consult factory.

Special Load Shoe Configurations are available. Consult factory for special configurations.

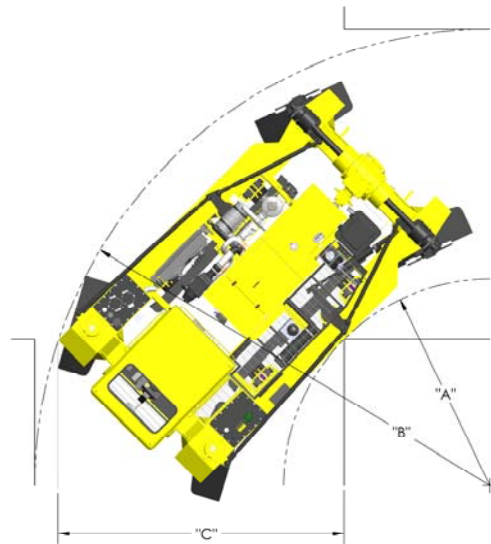
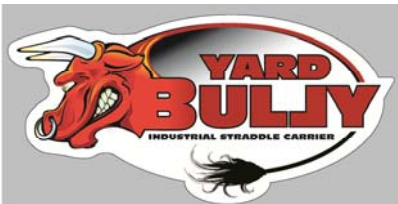
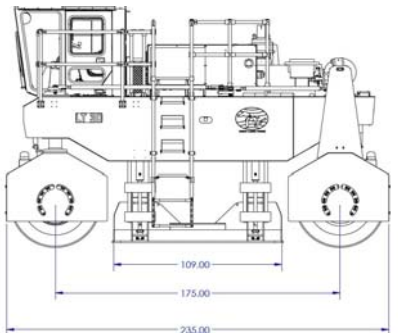
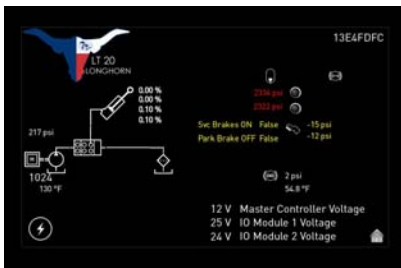
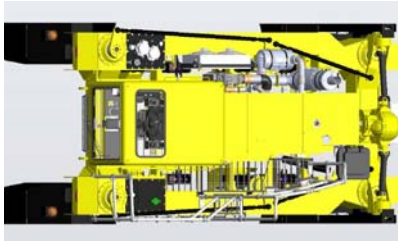


G R E A T L A K E S P O W E R

Phone: 440-259-0025
 Fax: 440-259-0098
 E-mail: straddles@glpower.com
 www.glpower.com

Great Lakes Power
 3691 Shepard Road
 Perry, OH 44081

▶ LT30 STRADDLE CARRIER



LT30



LT30 STRADDLE TRUCK



Frame Sizes

| Frame Width "D" | Inside Clearance Radius "A" | Outside Clearance Radius "B" | 90° Intersecting Aisle "C" | Inside Clearance Radius "A" | Outside Clearance Radius "B" | 90° Intersecting Aisle "C" |
|-------------------------------------------------------------|-----------------------------|------------------------------|-----------------------------------------------------------------------------------------------|-----------------------------|------------------------------|----------------------------|
| Full Width Load Longer Than Load Shoes (Limited Wheel Turn) | | | Full Width Load Not Exceeding Shoe Length or Load 12" Narrower Than Package Width or Unloaded | | | |
| 62" | 176" | 300" | 133" | 116" | 240" | 124" |
| 66" | 176" | 304" | 137" | 116" | 244" | 128" |
| 70" | 176" | 310" | 141" | 116" | 248" | 132" |
| 74" | 176" | 314" | 145" | 116" | 252" | 136" |
| 78" | 176" | 318" | 149" | 116" | 256" | 140" |
| 82" | 176" | 322" | 153" | 116" | 260" | 144" |
| 86" | 176" | 326" | 157" | 116" | 264" | 148" |
| 90" | 176" | 322" | 161" | 116" | 268" | 152" |
| 94" | 176" | 326" | 165" | 116" | 272" | 156" |

Empty Weight 43,000 pounds for 62Wx72H Frame. Add 300 pounds per six inch increase in width. Add 700 pounds per six inch increase in height.

Optional Fire Resistant and Biodegradable Hydraulic Fluids

Phone: 440-259-0025
 Fax: 440-259-0098
 E-mail: straddles@glpower.com
 www.glpower.com

Great Lakes Power
 3691 Shepard Road
 Perry, OH 44081